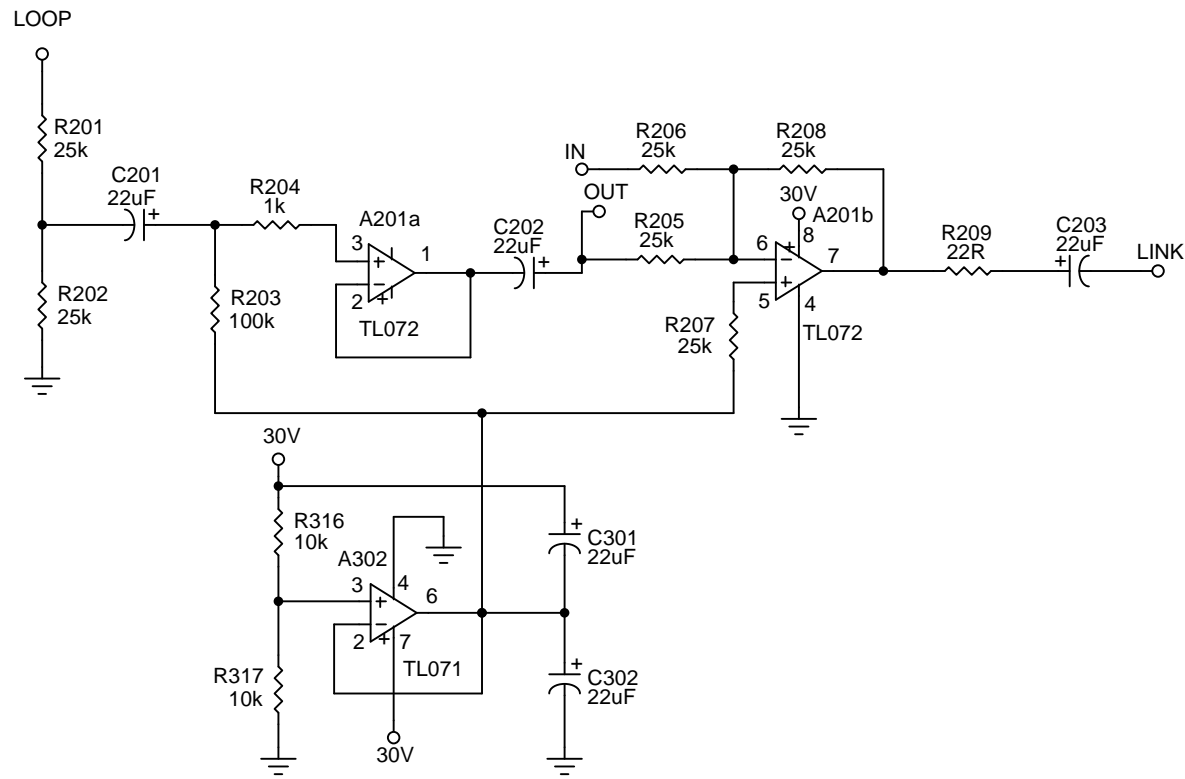


## Bill of Material for 1176 Stereo Link Board

| QUANTITY | VALUE | DESCRIPTION             | DESIGNATION                   |
|----------|-------|-------------------------|-------------------------------|
| 1        | 22R   | RESISTOR                | R209                          |
| 6        | 25k   | RESISTOR                | R201 R202 R205 R206 R207 R208 |
| 1        | 1k    | RESISTOR                | R204                          |
| 1        | TL072 | IC OPERATIONAL AMP      | A201                          |
| 1        | TL071 | IC OPERATIONAL AMP      | A302                          |
| 5        | 22uF  | CAPACITOR, ELECTROLYTIC | C201 C202 C203 C301 C302      |
| 1        | 100k  | RESISTOR                | R203                          |
| 2        | 10k   | RESISTOR                | R316 R317                     |



|                      |              |  |
|----------------------|--------------|--|
| STEREO LINK FOR 1176 |              |  |
| Rev                  | ID           |  |
| 1.0                  | MN           |  |
| Date: 3.11.09        | Page: 1 of 1 |  |