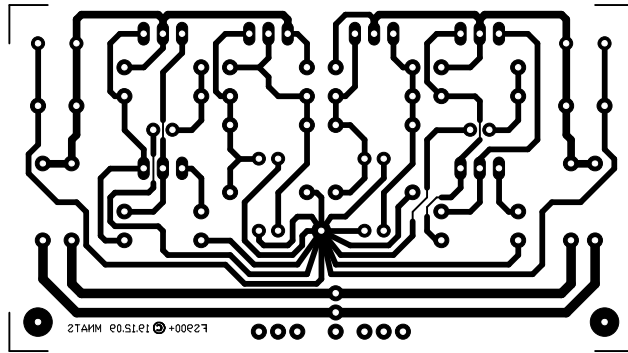
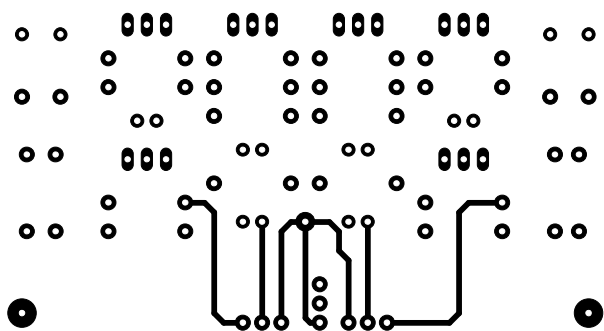


FS9001~1 Check Plot

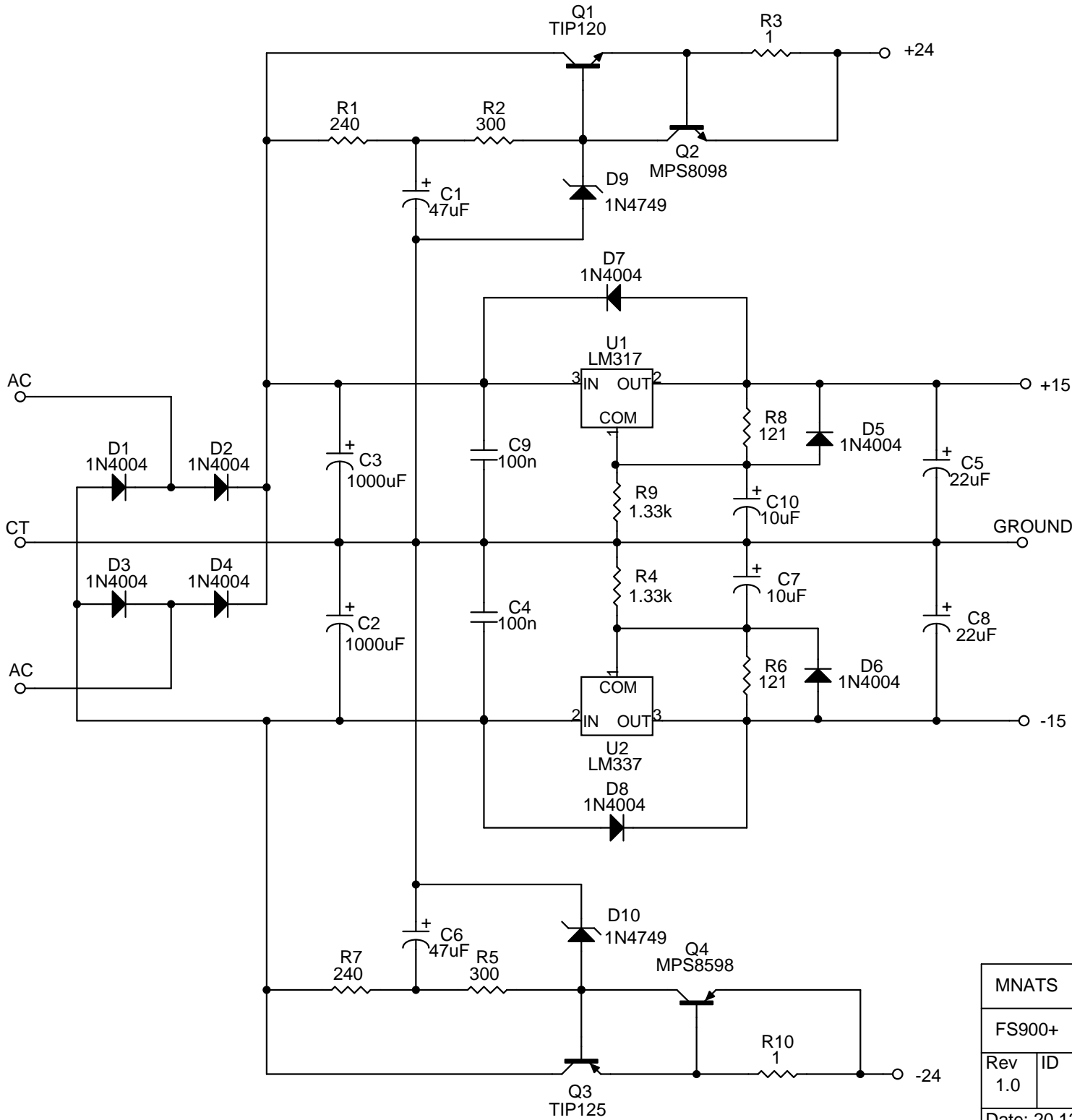




BOM FOR FS900+ POWER SUPPLY

QUANTITY	VALUE	DESCRIPTION	DESIGNATION
2	47uF	CAPACITOR, ELECTROLYTIC	C1,C6
2	1000uF	CAPACITOR, ELECTROLYTIC	C2,C3
2	100n	CAPACITOR, CERAMIC	C4,C9
2	22uF	CAPACITOR, ELECTROLYTIC	C5,C8
2	10uF	CAPACITOR, ELECTROLYTIC	C7,C10
8	1N4004	DIODE	D1,D2,D3,D4,D5,D6,D7,D8
2	1N4749	DIODE, ZENER	D9,D10
1	TIP120	TRANSISTOR, DARLINGTON	Q1
1	MPS8098	TRANSISTOR, BIPOLAR	Q2
1	TIP125	TRANSISTOR, DARLINGTON	Q3
1	MPS8598	TRANSISTOR, BIPOLAR	Q4
2	240	RESISTOR	R1,R7
2	300	RESISTOR	R2,R5
2	1	RESISTOR	R3,R10
2	1.33k	RESISTOR	R4,R9
2	121	RESISTOR	R6,R8
1	LM317	VOLTAGE REGULATOR	U1
1	LM337	VOLTAGE REGULATOR	U2

TO POWER
TRANSFORMER



MNATS	
FS900+	
Rev 1.0	ID
Date: 20.12.09	Page: 1 of 1