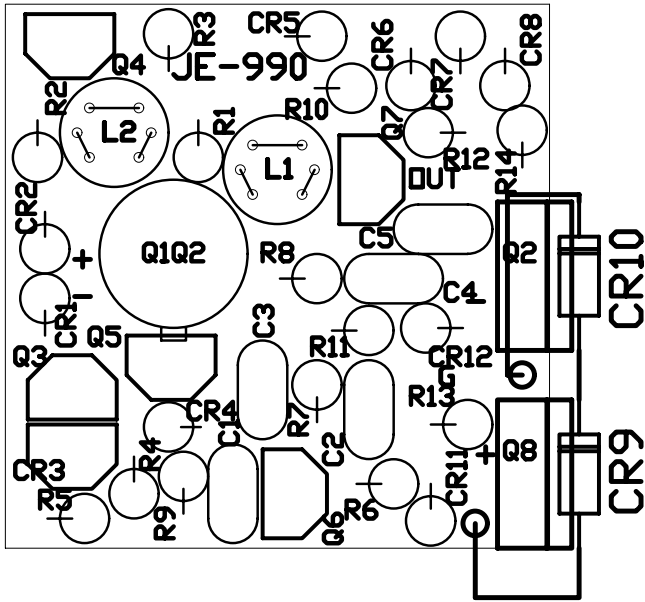


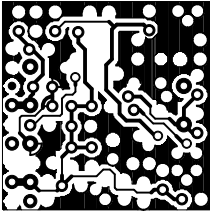
D 9 D I 9 0 Y 0 A	JENSEN JE-990 DIY PCB WITH '2520' FOOTPRINT
M.NATS	10 DEC 2006
990G.PCB	VERSION 1a



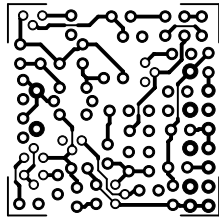
D I Y	9 9 0	D □ A	JENSEN JE-990 DIY PCB WITH "2520" FOOTPRINT
M.NATS	10 DEC 2006		
990G.PCB	VERSION 1a		

NOTES:
 ALL DIODES BAND (CATHODE) TOWARD CIRCULAR FOOTPRINT
 EXCEPT CR9/CR10 THAT ARE THERMALLY BONDED TO Q8/Q9.
 CR3 IS A DIODE-CONNECTED TRANSISTOR AS PER JENSEN.

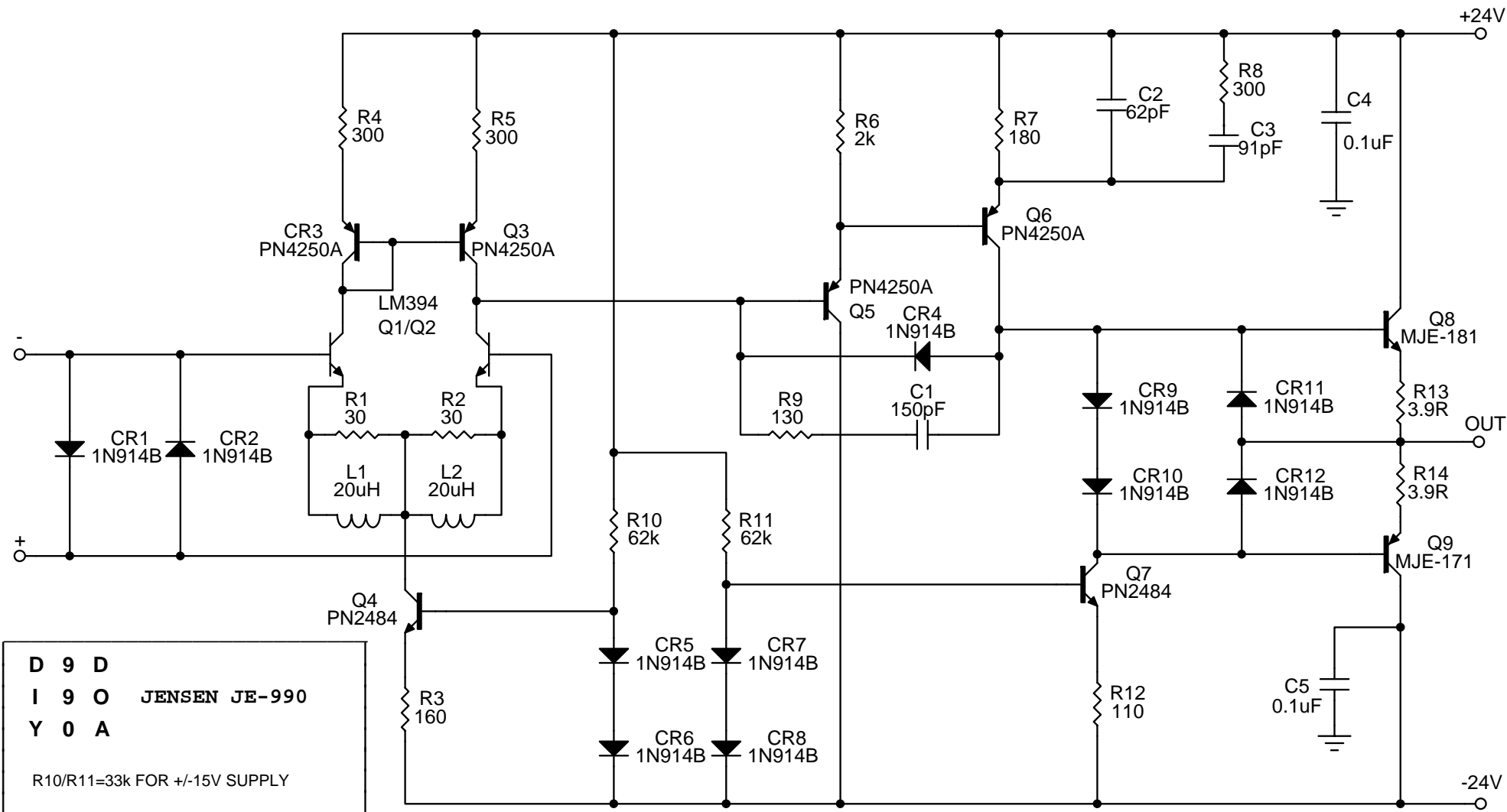
BILL OF MATERIALS		
Q1,Q2 -- LM394	L1,L2 -- 20uH FB6 CORE	R12 -- 110
Q3,Q5,Q6,Q10 -- PN4250A	R1,R2 -- 30R	R13,R14 -- 3.9R
Q4,Q7 -- PN2484	R3 -- 160	C1 -- 150pF
Q8 -- MJE-181	R4,R5,R8 -- 300	C2 -- 62pF
Q9 -- MJE-171	R6 -- 2k	C3 -- 91pF
CR1,CR2,CR4,CR5,	R7 -- 180	C4,C5 -- 0.1uF
CR6,CR7,CR8,CR9,	R9 -- 130	
CR10,CR11,CR12 -- 1N914B	R10,R11 -- 62k	



TDP LAYER



BOTTOM LAYER



D 9 D
I 9 O JENSEN JE-990
Y 0 A
 R10/R11=33k FOR +/-15V SUPPLY